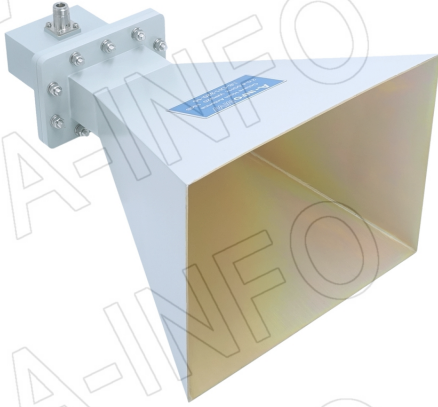


For reference only. See data sheet for the detailed specifications.

## Technical Specification

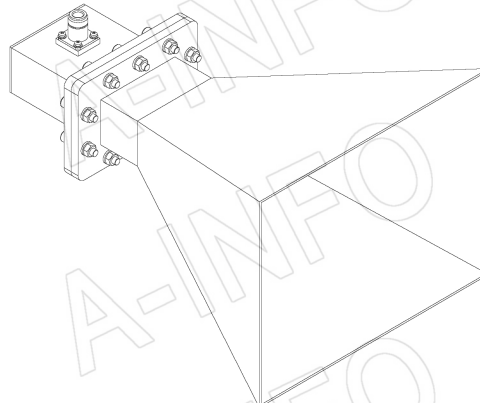
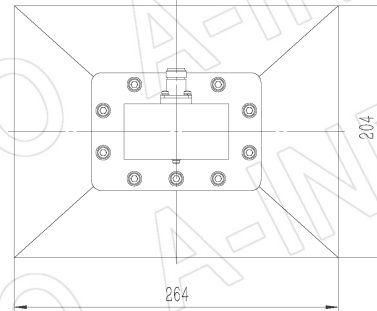
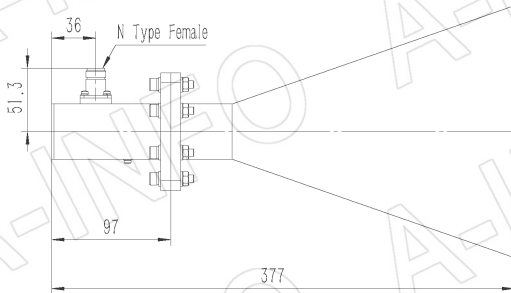


Frequency Range(GHz)	2.0 – 4.0
Gain(dBi)	15 Typ.
Polarization	Linear
3dB Beamwidth(deg)	E Plane: 36 - 20
	H Plane: 39 - 22
Cross Pol. Isolation(dB)	35 Typ.
VSWR	1.5:1 Typ.
	2.0:1 Max.
Connector	N-Female or SMA-Female
Power Handling(W CW)	N-Female: 300 Max.
	SMA-Female: 50 Max.
Material	Al
Finish	Chemical Conversion Coating, Gray Paint
Size(mm)	264 x 204 x 377
Net Weight(Kg)	1.60 Around

## Outline Drawing (Size: mm)

N-Female Output (P/N: LB-OH-320-15-C-NF)

For SMA-Female output outline drawing, please contact A-INFO.



**AINFO Inc.**

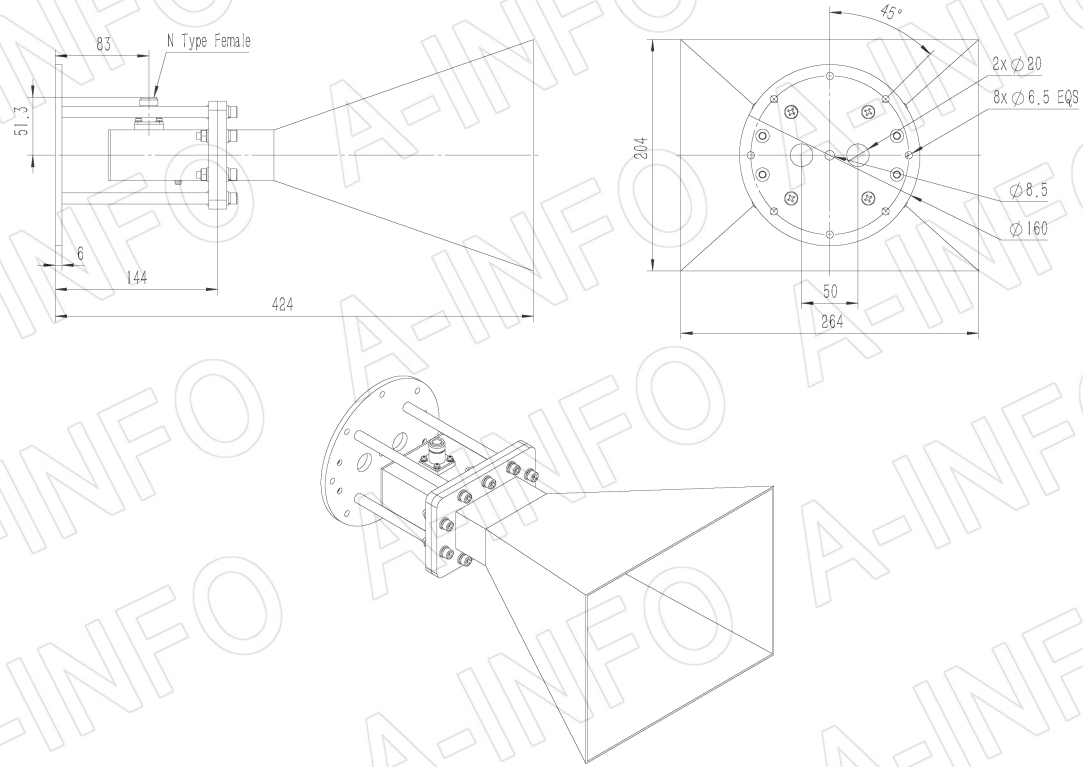
China(Beijing): Tel: (+86) 10-6266-7326,  
China(Chengdu): Tel: (+86) 28-8519-2786,  
USA : Tel: (+1) 949-639-9688,

(+86) 10-6266-7327 Fax: (+86) 10-6266-7379  
(+86) 28-8519-3044 Fax: (+86) 28-8519-3068  
(+1) 949-639-9608 Fax: (+1) 949-639-9670

Website: [www.ainfoinc.com](http://www.ainfoinc.com)  
Email: [sales@ainfoinc.com](mailto:sales@ainfoinc.com)

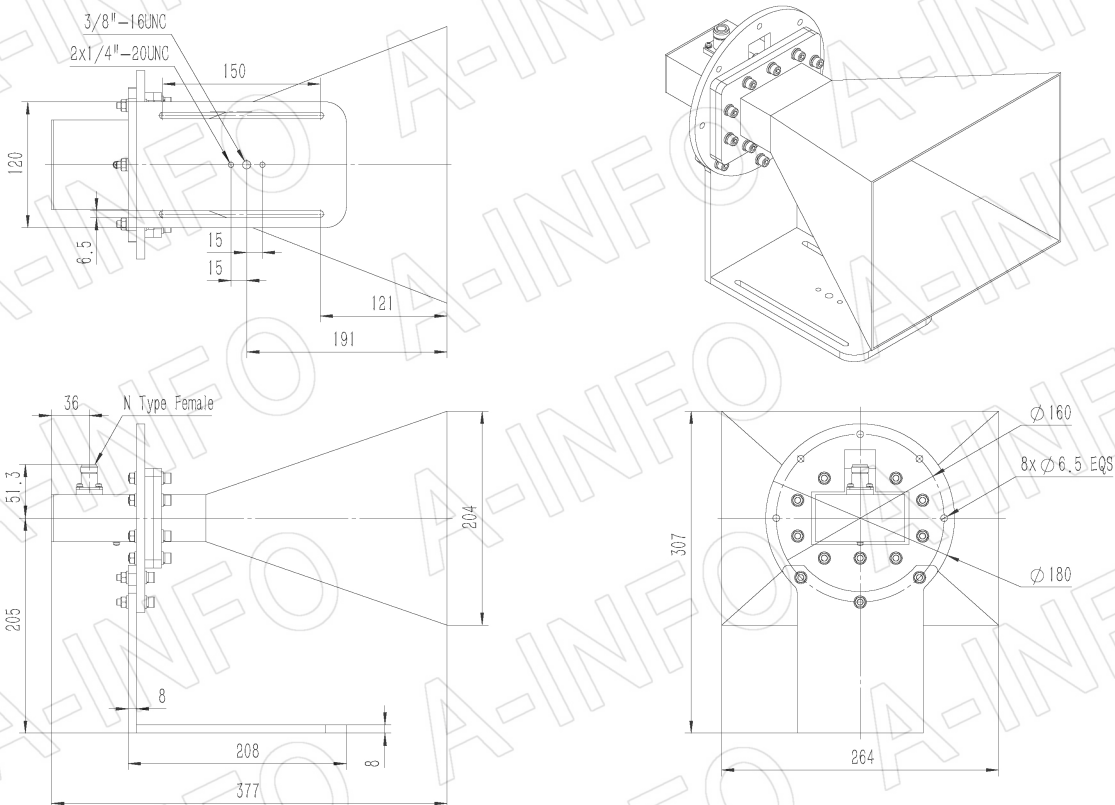
## N-Female Output with Round Mounting Bracket (Option, P/N: LB-340-10-C-MB)

For SMA-Female output outline drawing, please contact A-INFO.



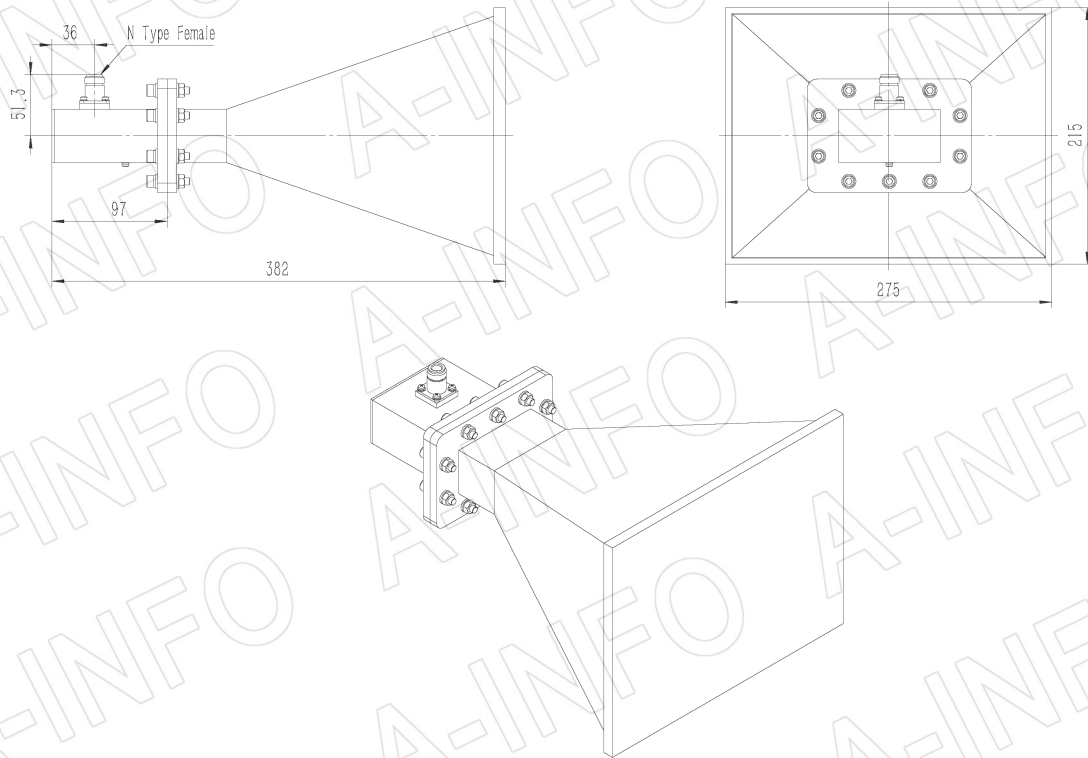
## N-Female Output with L Type Mounting Bracket (Option, P/N: LB-340-10-C-L)

For SMA-Female output outline drawing, please contact A-INFO.



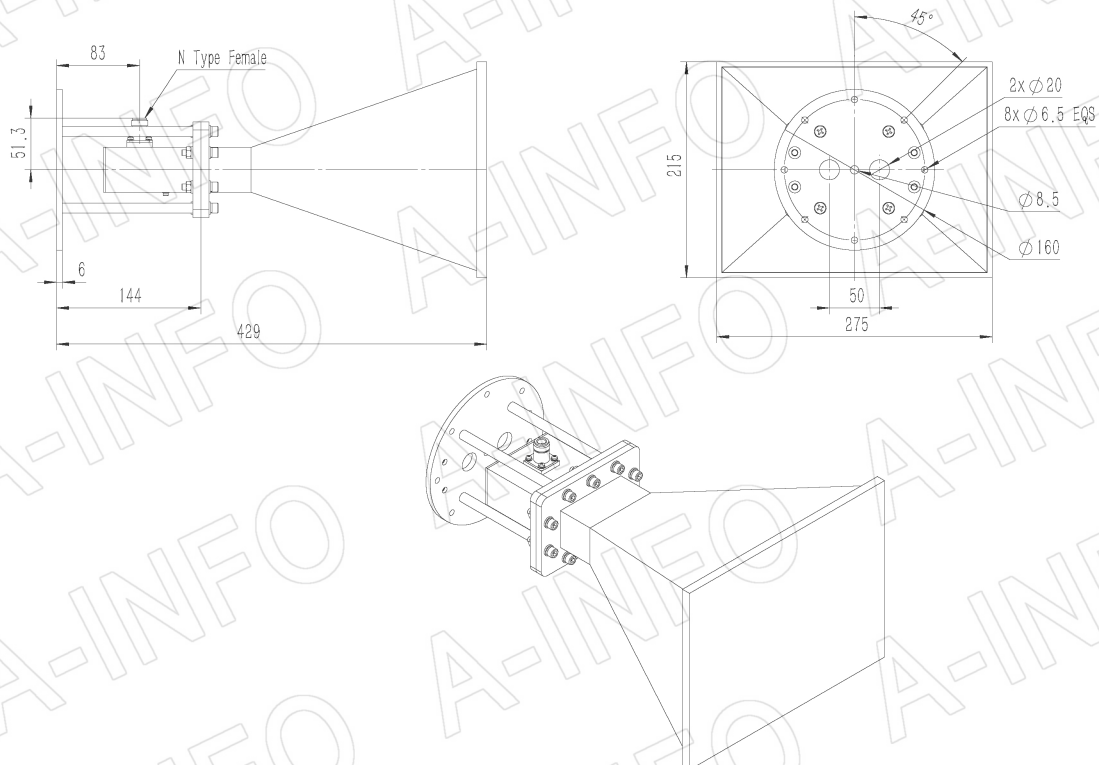
**N-Female Output with Radome (Option, P/N: LB-OH-320-15-C-NFSPO, Outdoor Application)**

For SMA-Female output outline drawing, please contact A-INFO.



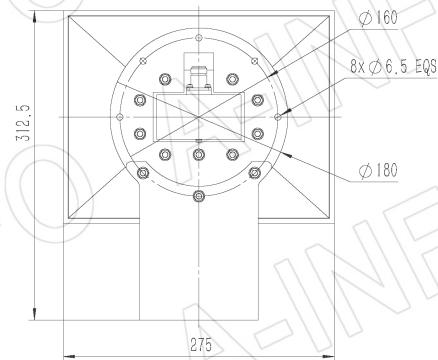
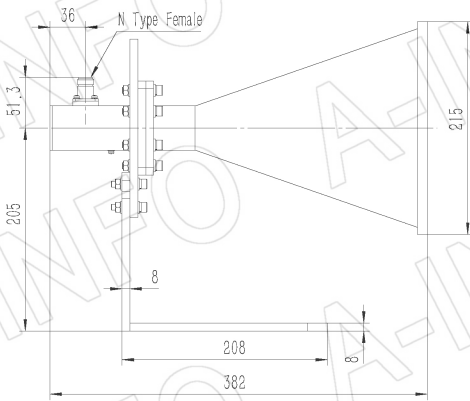
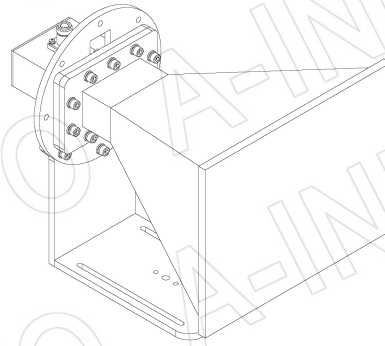
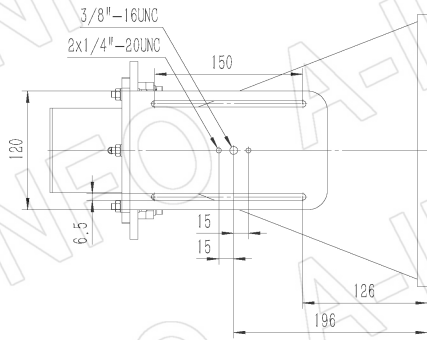
**N-Female Output with Round Mounting Bracket & Radome (Option, P/N: LB-340-10-C-MB & LB-OH-320-15-C-NFSPO, Outdoor Application)**

For SMA-Female output outline drawing, please contact A-INFO.



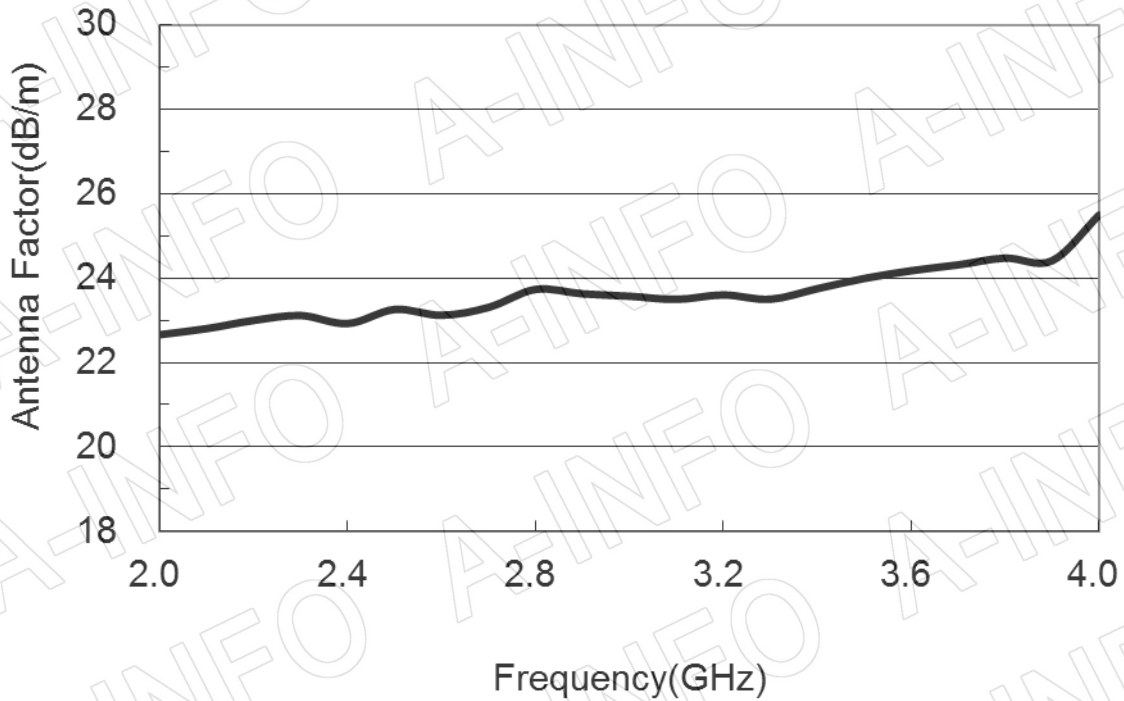
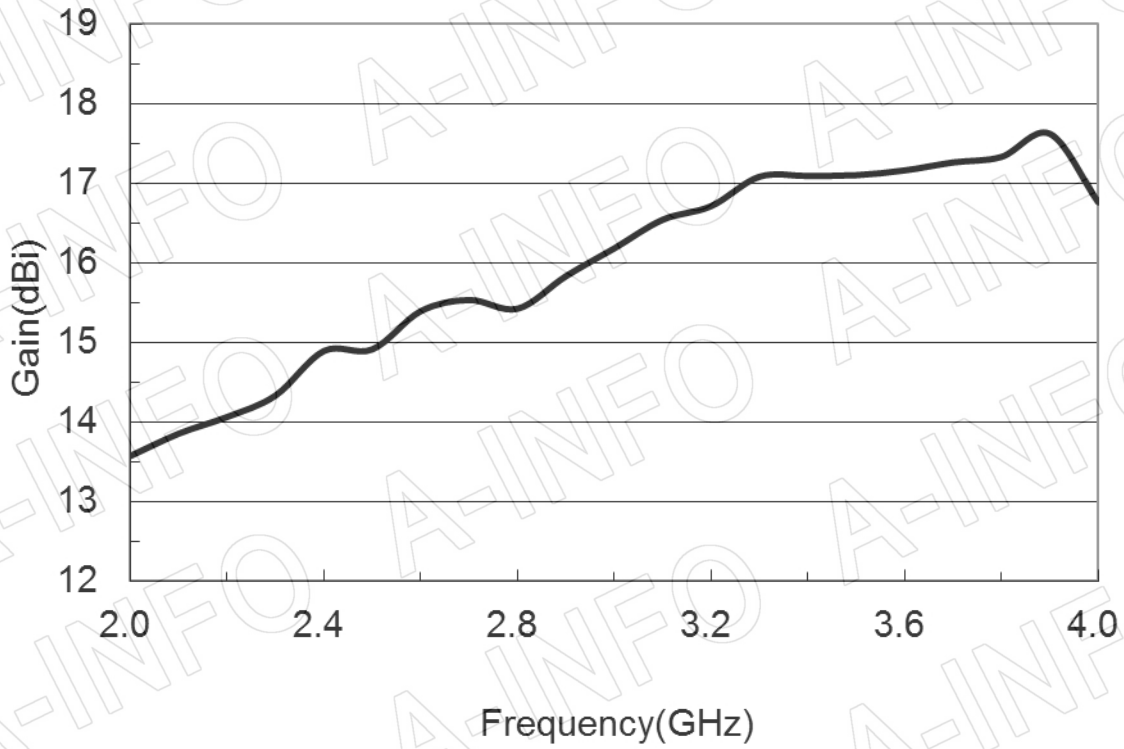
## N-Female Output with L Type Mounting Bracket & Radome (Option, P/N: LB-340-10-C-L & LB-OH-320-15-C-NFSP0, Outdoor Application)

For SMA-Female output outline drawing, please contact A-INFO.

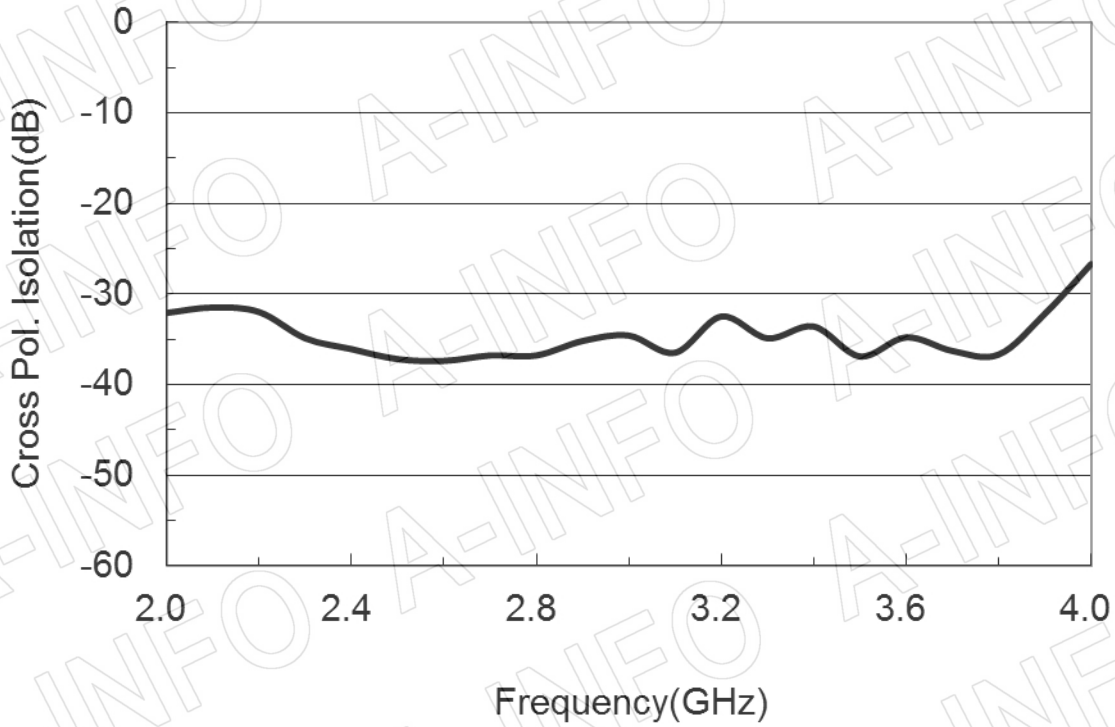


## Test Results

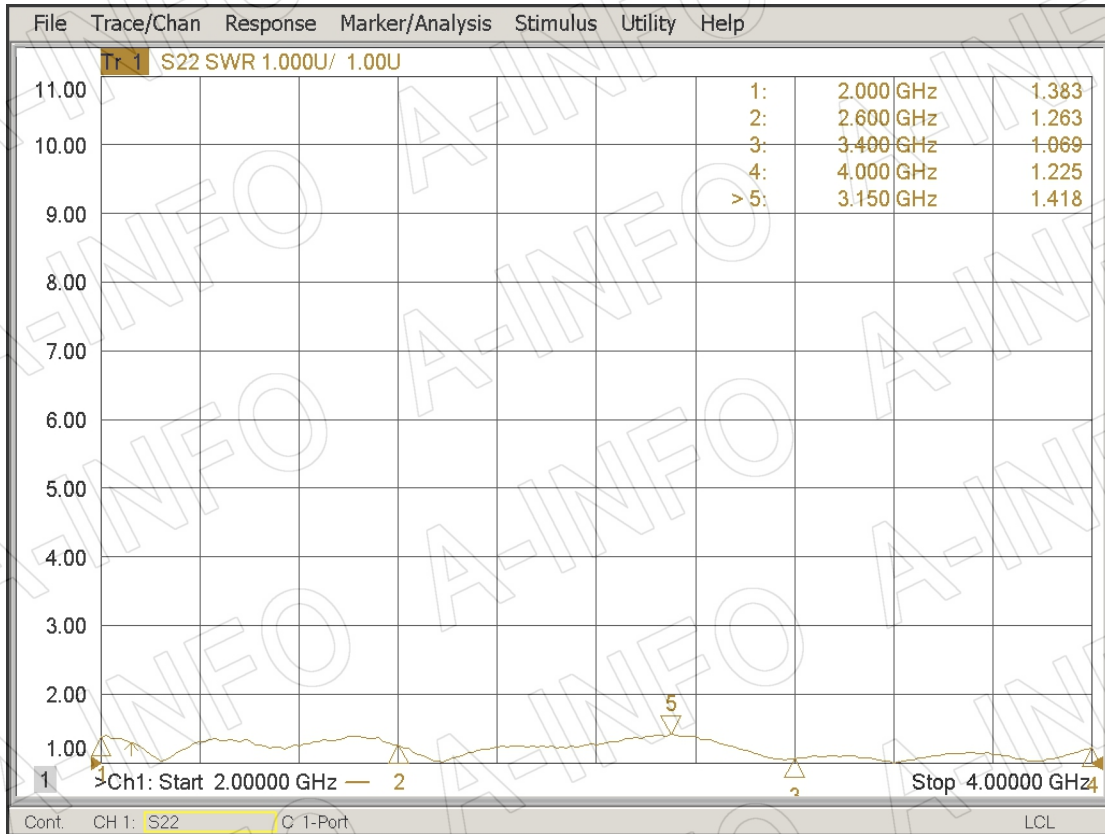
### 1. Gain & Antenna Factor



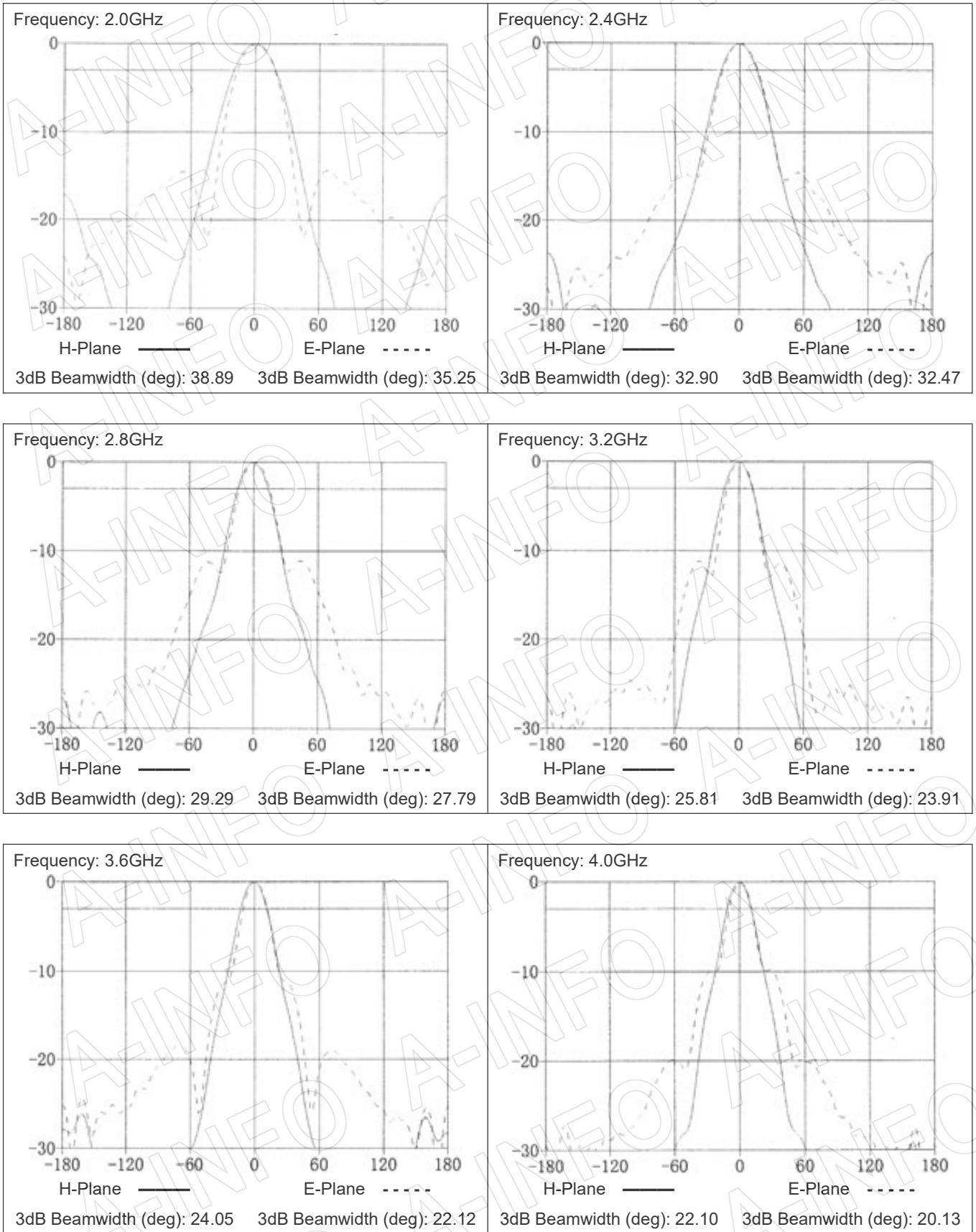
## 2. Cross Pol. Isolation



## 3. VSWR



## 4. Pattern



**AINFO Inc.**

China(Beijing): Tel: (+86) 10-6266-7326,  
China(Chengdu): Tel: (+86) 28-8519-2786,  
USA: Tel: (+1) 949-639-9688,

Page 7 of 7

(+86) 10-6266-7327 Fax: (+86) 10-6266-7379  
(+86) 28-8519-3044 Fax: (+86) 28-8519-3068  
(+1) 949-639-9608 Fax: (+1) 949-639-9670

Website: [www.ainfoinc.com](http://www.ainfoinc.com)  
Email: [sales@ainfoinc.com](mailto:sales@ainfoinc.com)